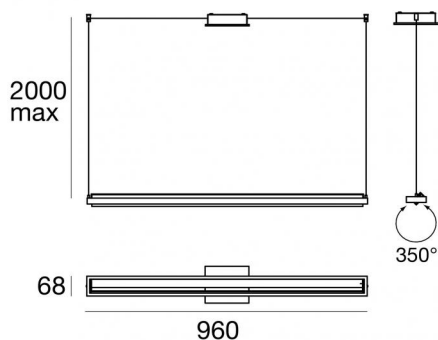




Suspension | 220-240 V
108 topLED 23 W DC - 23 W AC | CRI 90
8476



| Données techniques | |
|--|------------------|
| Année de réalisation | 2018 |
| Typologie | Surface |
| Position d'installation | Plafond |
| Environnement d'installation | Intérieur |
| Source lumineuse | LED |
| Optique | General Lighting |
| Light emission direction | downward |
| Puissance | 23 W |
| Flux lumineux (source) | 2719 lm |
| Frequency | 60 - 50 Hz |
| Température de couleur / Tone | 3000 K |
| Indice de rendu chromatique | 90 Ra |
| C.C. / V.C. | AC |
| Classe d'isolation | 1 |
| IP | IP20 |
| Essai au fil incandescent | 850° |
| Montage direct sur des surfaces normalement inflammables | Oui |
| CE | Oui |
| Driver inclus | Driver |
| Article à intensité variable | Phase cut |
| Orientable | Orientable |
| angle total (plan vertical) | 0 ° |
| angle total (plan horizontal) | 350 ° |
| Basculement | Non |
| Piétinable | Non |
| Carrossable | Non |
| Câble inclus | Oui |
| Longueur du câble | 5 m |
| Revêtement en résine | Non |
| Type d'émission lumineuse | Émission simple |
| Poids net | 2.2 Kg |
| Protection contre les décharges électrostatiques | Non |
| Protection contre les surtensions | Non |

| Finition corps | |
|-----------------------------------|---------------|
| Matériau | Aluminium |
| Couleur | noir RAL 9005 |
| Fabrication | Vernissage |
| Finition diffuseur | |
| Matériau | PC |
| Couleur | opalin |
| Cables Electrification+suspension | |
| Longueur max de | 5000 mm |



Suspension | 220-240 V | 108 topLED 23 W DC - 23 W AC | CRI 90
8476

Single emission pendant luminaires for indoor application. The warm white LED light source with a general lighting light distribution is composed of 108 topLEDs with CCT of 3000 K and a CRI 90; the source luminous flux is 2719 lm, with a 118.2 lm/W nominal luminous efficacy.

The device body is made of aluminium and features a black ral 9005 finish, processed by means of coating; the diffuser is made of PC. The ingress protection degree is IP20; the total weight is of 2.2 kg.

The total absorbed power is 23 W. The power supply cable is included and features a 5 m length.

The device features protection class I and can be ceiling-mounted.

Compliant with the EN 60598-1 standard and its specific provisions.

Caractéristiques Techniques de l'éclairage

| | |
|--|----------------|
| Light Output Ratio (LOR) | 56 % |
| Flux lumineux (source) | 2719 lm |
| Flux lumineux du luminaire | 1535 lm |
| Consumption | 23 W |
| Efficacité lumineuse du luminaire | 66 lm/W |
| Température de couleur | 3000 K |
| Standards de Concordance de Couleur | 3 Step MacAdam |
| Indice de rendu chromatique | 90 Ra |
| Température de jonction (appareil) | 80 |
| Température standard de l'environnement de | 25 |

LED Life / Failure Ratio

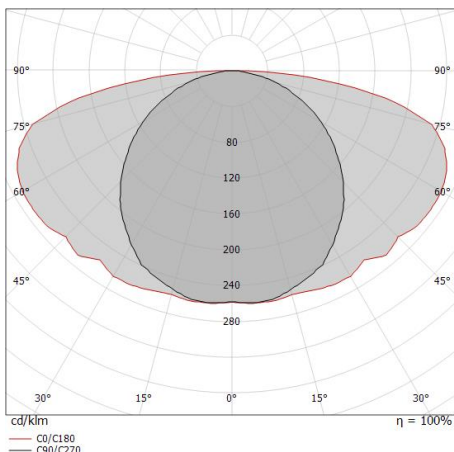
| |
|-------------------|
| L80 B20 C0 80000h |
|-------------------|

UGR

| | |
|-------------------|----------|
| UGR axial | 17.4 |
| UGR transversal | 18.8 |
| X=4H Y=8H | S=0.25H |
| Reflection factor | 70/50/20 |

OPTICAL

| | |
|-----------------------------|---------------|
| Light distribution simmetry | Symmetrical 2 |
| Optique C0/C180 | 164° |
| Optique C90/C270 | 113° |



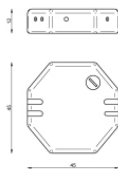
| Distance [m] | Cone diameter [m] | E(0°) | E(C90) | E(C0) | Illuminance [lx] |
|--------------|-------------------|-------|--------|-------|------------------|
| 0.5 | 1.51 7.30 | 1586 | 136 | 2 | |
| 1.0 | 3.01 14.60 | 396 | 34 | 1 | |
| 1.5 | 4.52 21.90 | 176 | 15 | 0 | |
| 2.0 | 6.02 29.20 | 99 | 8 | 0 | |
| 2.5 | 7.53 36.50 | 63 | 5 | 0 | |
| 3.0 | 9.03 43.80 | 44 | 4 | 0 | |

Distance [m] Cone diameter [m] Illuminance [lx]

— C0/C180 (Half-peak divergence: 164.4°)
— C90/C270 (Half-peak divergence: 112.8°)



Tablet_P1 | Pendant Luminaires | Accessories
8476



Variateur
220-240V

Code
KIT0026



Variateur
Radio-frequenza, 85-240V

Code
KIT0080